

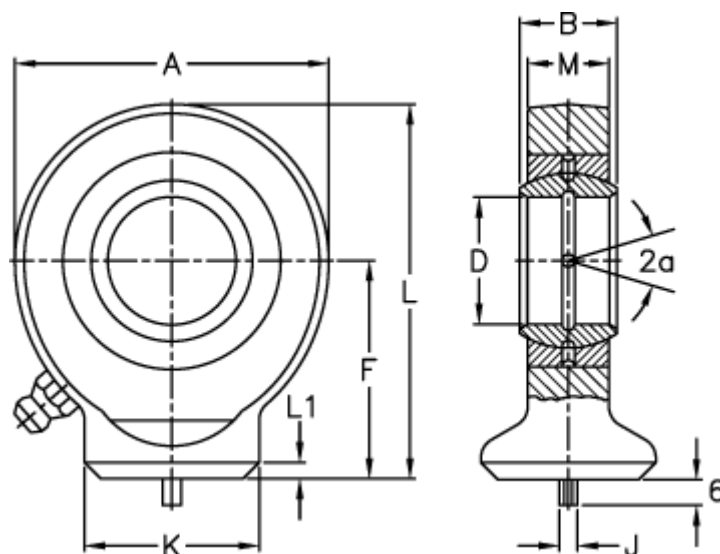
Data Sheet



Article number: 03555060

Description: Fluro hydraulic rod end FS 60C

Measures



A	= 135	L	= 167.5
a (degrees)	= 6	L1	= 8
B	= 44	M	= 38
D	= 60	Static load C0 (kN)	= 390
Dynamic load C (kN)	= 245	Weight	= 4600
F	= 100		
J	= 6		
K	= 70		